

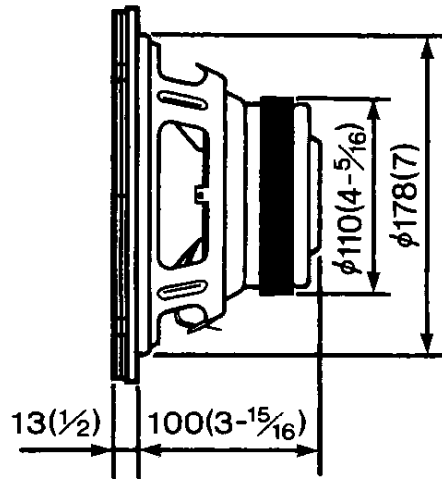
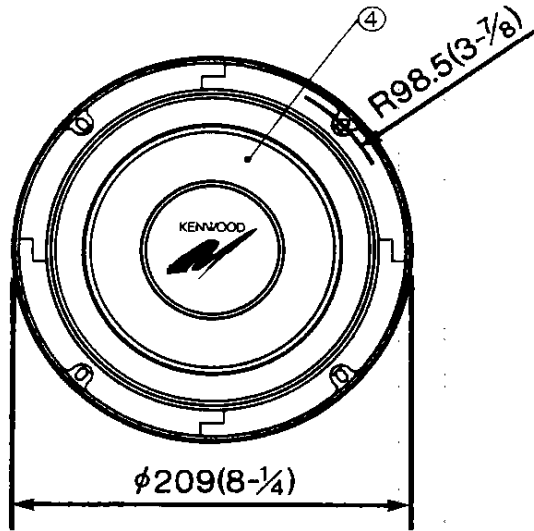
KFC-W2000

SERVICE MANUAL



KENWOOD


© 1993-10 PRINTED IN JAPAN
B51-6664-00(B) 377

DIMENSIONS



PARTS INCLUDED

- ①  $\phi 4 \times 30(3\frac{3}{16} \times 1\frac{3}{16}) \dots \times 4$
- ②  $\dots \times 4$

- ③  $\dots \times 1$

SPECIFICATIONS

Speaker _____ 200 mm (8 in) Injection P.P.
Cone Type
580g (20.4 oz) Magnet
Peak Power _____ 300 Watts
Sensitivity _____ 91 dB/W at 1m
Frequency Response _____ 20 Hz ~ 6,000 Hz
Impedance _____ 4 Ohms
Net Weight _____ 2.3 kg (5.1 lb) / Pc.

PARTS LIST

* New parts

| Ref.No. | New Parts | Parts No. | Parts Name |
|---------|-----------|-------------|------------|
| ① | * | N99-1272-08 | SCREW SET |
| ② | * | J19-3965-08 | GASKET SET |
| ③ | * | G13-1094-08 | SPACER |
| ④ | * | T10-0618-08 | SPEAKER |